



hurlcon

FX series flooded suction pool and spa pumps

In line with Hurlcon's policy of building reliable, high quality pumps for every possible application, the Hurlcon FX Series flooded suction pumps fill an important market niche. Designed for use as 'booster' pumps for situations where flooded suction is possible and a hair and lint pot is unnecessary, the range of FX Series pumps is amazingly versatile.

FX

Hurlcon FX series flooded suction pool and spa pumps



There are smaller horsepower models that are ideally suited for use where flow rates are not huge. They are equally at home as solar pumps, with above-ground pools and as circulating pumps for heating systems. In each situation they provide just the quiet, reliable and efficient performance required. For the more demanding applications, such as swim jet pumps and multi jet spa pumps, the larger horsepower models are designed to deliver the higher water flows required.

Quiet.

All Hurlcon pumps use the highest quality materials and the FX is no exception. As a result it can deliver the power needed to move large volumes of water while generating very little operating noise.

Efficient.

Its incredible efficiency produces more water using less energy and that means lower operating costs.

Reliable.

An inbuilt non-return valve eliminates reverse rotation of the impeller in high pressure situations ensuring reliability.

Quality Components.

An outer casing of corrosion resistant, glass reinforced Noryl, one of the toughest and most stable thermoplastics, allows the FX to withstand high temperatures without damage to the seal housing

or any moving parts.

The use of stainless steel for such key components as the motor shaft ensures ongoing reliability and serviceability.

In short, in the right application, FX will cost you less to buy and to operate throughout its life.

Range.

The Hurlcon FX Series Flooded Suction Booster Pumps are available in 5 sizes from 0.75 horsepower to 2 horsepower.

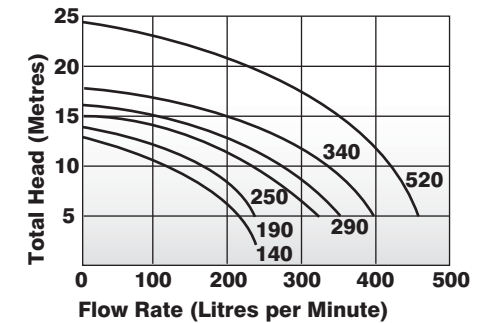
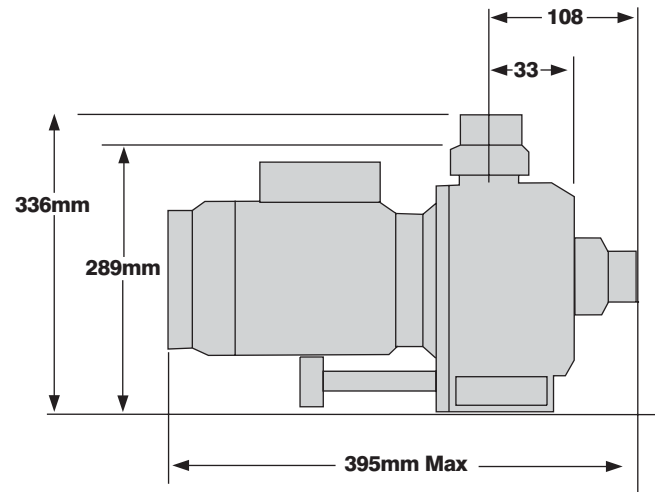
Warranty.

Each pump is covered by a limited 3 year warranty against defects in materials and workmanship. For full details refer to the FX Series Instruction Sheet.

Specifications.

Model	Volts	Phase	Input Watts	Horse Power	Flow Rate @ 8 m/h	Max Noise @ 1 mtr	Full Load Amps
FX 140	240	Single	550	0.50	140 lpm	57 dBA	2.9
FX 190	240	Single	750	0.75	190 lpm	57 dBA	3.2
FX 250	240	Single	1050	1.00	250 lpm	58 dBA	4.3
FX 290	240	Single	1200	1.25	290 lpm	58 dBA	5.3
FX 340	240	Single	1490	1.50	340 lpm	60 dBA	6.6
FX 520	240	Single	1980	2.00	520 lpm	63 dBA	8.3

Available from:



Order Free Fax 1800 635 781
or sales@hurlcon.com.au

Victorian Office:
Ph: 03 9765 9765
Fax: 03 9764 9009

NSW Office:
Ph: 02 9674 8544
Fax: 02 9674 8522

Queensland Office:
Ph: 07 3393 3233
Fax: 07 3393 3255

South Australian Office:
Ph: 08 8345 5755
Fax: 08 8345 5211

Western Australian Office:
Ph: 08 9258 9322
Fax: 08 9258 9344